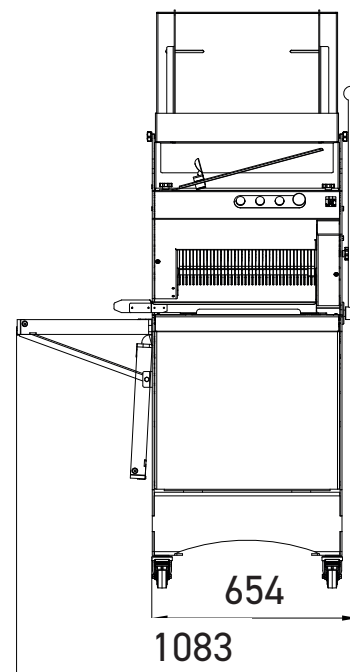
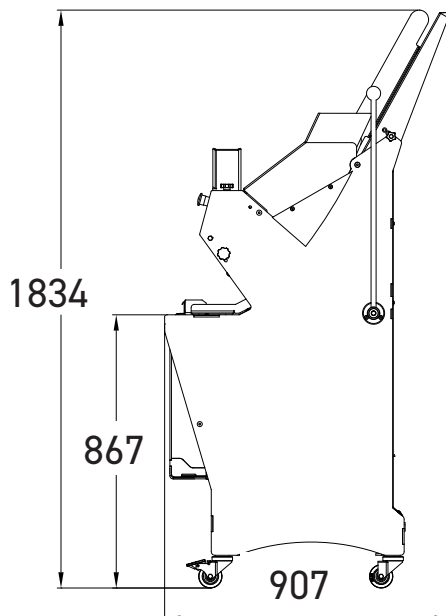
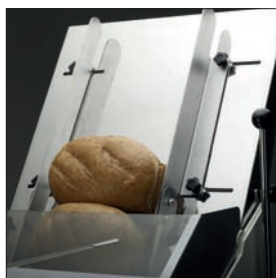


**CHUTE**

- ✓ Designed for cutting soft white loaves
- ✓ Maximum output thanks to a continuous cycle
- ✓ Minimum space requirement
- ✓ Economic
- ✓ Front-loading for ergonomic efficiency

Up to 500 loaves an hour





**Loading ramp**  
Fitted with side guides, increases loading capacity.



**Removable crumb collector**  
Accessible by tilting the front cylinder-assisted door. 18 litre capacity.



**Adjustable bread holder**  
Adjusts the pressure on the bread to ensure a clean, precise quality of cut.



**Bread exit guides**



**Lever on the side**  
Allows the final loaf to be cut completely safely.



**Option** **Foldable bag blower**  
Saves packaging time.

**CHUTE 450**

**FEATURES**

Max. loaf dimensions in cm (L x W x H)	44 x 16
Motor power in kW	0.49
Net weight (in kg)	230
Blade type and dimensions in mm	10 x 0.5 steel

**CHOICES**

Slice thickness in mm	11 - 18
Power supply	230V single phase 230V three-phase 400V three-phase

**OPTIONS**

Foldable bag blower	•
Special blades	•