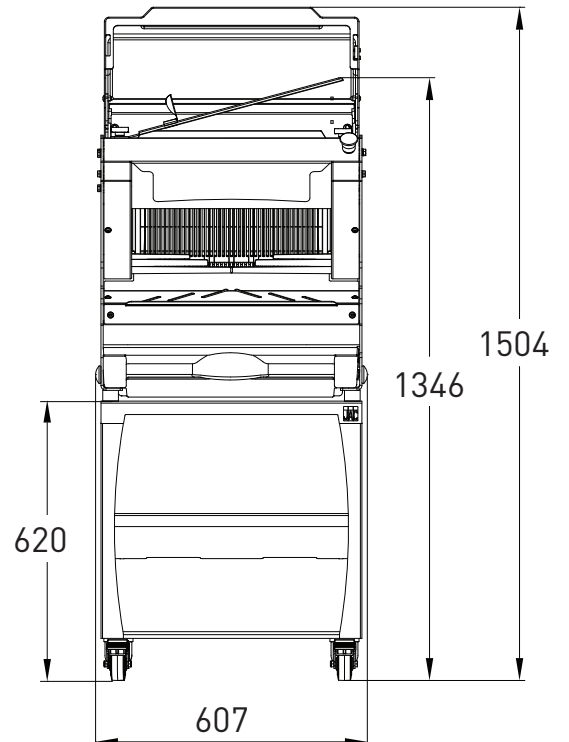
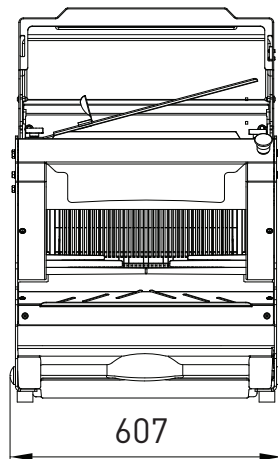
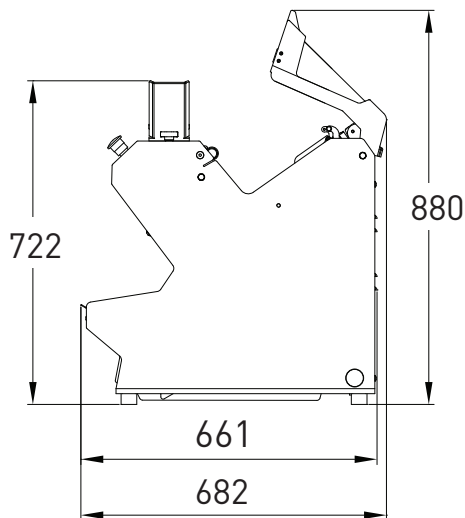


# PICOMATIC

- ✓ Minimum space requirement
- ✓ Can be used on a counter-top or on an optional wheeled base
- ✓ Automatic cutting cycle for simplicity in use and optimum time management
- ✓ Front-loading for ergonomic efficiency
- ✓ Intelligent Slicing Concept



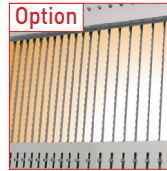
Up to 250 loaves an hour





### Intelligent Slicing Concept (JAC patent)

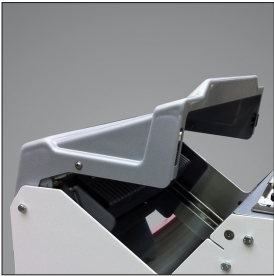
Continuous automatic control system that slices loaves according to their consistency. This allows open textured, crusty and dense breads to be sliced with equal efficiency.



Option

### Double slice thickness

Allows two different slicing widths on the same machine



### Rear safety cover

Closing it initiates the slicing process and it opens automatically when slicing is complete.



Option

### Front safety cover

If opened during the cutting cycle, the machine stops.



### Information screen

Tells the user about maintenance intervals and allows ISC parameters to be changed (see ISC).



Option

### Wheeled base with two locking casters.


Provides storage space and mobility.





### Type available

#### "M" system

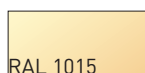
Micronised knife lubrication system for cutting bread with a high rye content or sticky crumb. Developed by JAC, it consumes the least possible amount of oil (120 ml per 1000 loaves) and delivers consistent cutting quality.

FEATURES	PICOMATIC 450	PICOMATIC 450M 
Max. loaf dimensions in cm (L x W x H)	44 x 30 x 18	44 x 29 x 18
Rear safety cover	•	•
Motor power in kW	0.49	1.1
Net weight (in kg)	105	115
Blade type and dimensions in mm	13 x 0.5 steel	13 x 0.5 Teflon coated

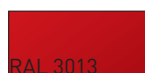
CHOICES	PICOMATIC 450	PICOMATIC 450M 
Slice thickness in mm	9 - 18	9 - 12
Loaf pusher height	Extra low (50mm) Low (80mm) High (100m)	Misch (80mm)
Type of motor	230V single phase 230V three-phase 400V three-phase	400V three-phase
Standard colour*	•	•

OPTIONS	PICOMATIC 450	PICOMATIC 450M 
Heavy duty motor	•	
Front safety cover	•	•
Wheeled base	•	•
Double slice thickness	•	
Special colour	•	•
Special blades	•	

\*STANDARD COLOURS



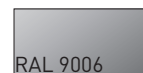
RAL 1015



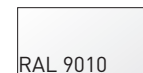
RAL 3013



RAL 9005



RAL 9006



RAL 9010