



HOOD CHEFTOP - BAKERTOP MIND.Maps™

XECHC-HC13 XECHC-HC11 XEVHC-HC11
XEBHC-HCEU XEAHC-HCFL XEVHC-HC21

INSTALLATION, USE AND MAINTENANCE MANUAL
translation of original instructions

EN

WARNING: Read the instructions before using the appliance

HOODS

SAFETY REGULATIONS

SAFETY REGULATIONS FOR INSTALLATION AND MAINTENANCE	4
SAFETY REGULATIONS FOR USE	5

INTRODUCTION

EXPLANATION OF PICTOGRAMS	7
FORWARD	8

INSTALLATION

UNPACKING OF THE APPLIANCE	10
CHECKING PACK CONTENTS	12
GETTING STARTED	12
POSITIONING	13
ELECTRICAL CONNECTIONS	16
PLUMBING CONNECTIONS	18
SMOKE EXHAUST	23
HOOD AND OVEN INTERCONNECTION	25

USE

USE	26
-----------	----

MAINTENANCE

ROUTINE MAINTENANCE	28
INACTIVITY	30
DISPOSAL	30
CERTIFICATION	31
AFTER-SALES ASSISTANCE	32
GUARANTEE	33

HOODS

Safety regulations

SAFETY REGULATIONS FOR INSTALLATION AND MAINTENANCE

- Read this guide carefully before installing or maintaining the appliance, and conserve this guide with care for any future consultation of users.
- All installation, assembly and non-routine maintenance operation must be performed exclusively by qualified technicians that are authorized by UNOX, in compliance with the regulations in force in the user country, with respect to the regulations on systems and work safety.
- Before starting installation or maintenance disconnect the appliance from any electrical connections.
- Check that systems are compliant to the installation country standards and to the specifications indicated on the appliance rating plate before installing the appliance.
- Interventions, alterations or modifications not expressly authorised that do not comply with the indications in this manual shall invalidate the guarantee.
- Installation or maintenance that fails to respect the indications in this manual may cause damage, injury or fatal accidents.
- Persons not involved with appliance installation may not pass through or occupy the work area during appliance assembly.
- Given its potential danger, the packaging material must be kept out of reach of children and animals, and correctly disposed of in compliance with local regulations.

- The ratings plate provides essential technical information that is of utmost importance for any appliance maintenance or repairs. Do not remove, damage or modify the plate.
- Failure to follow these instructions can cause damage and injury or death, voids the warranty and exempts UNOX from any liability.
- The parts protected by the manufacturer or his agent shall not be adjusted by the installer.

SAFETY REGULATIONS FOR USE

- Avoid the situation when there are other open flued appliances in the same room to prevent backsuction of flue gasses.
- Do not clean with water jet.
- The cable must be replaced by UNOX or by its technical assistance service, and in all cases by a person with similar qualification in order to avoid possible risks.
- Following procedures other than those indicated in this guide to use and clean the appliances is considered inappropriate and may cause damage, injury or fatal accidents; in addition to invalidating the guarantee and relieving UNOX of all liability.
- The appliance can be used by children over 8 years of age, people with physical, sensory or mental difficulties, and those lacking experience or knowledge of the appliance, as long as they are supervised or have been informed of how to use the appliance safely and the related dangers. Children must not play with the appliance. Cleaning and maintenance must be carried out by the user and not by unattended children.
- Children must be supervised to ensure they do not play with the appliance.
- This appliance can be used exclusively:
 - By qualified personnel that attend scheduled training courses;

- In combination with the UNOX electrical ovens of the **CHEFTOP - BAKERTOP MIND.Maps™** line for industrial kitchens;
- For the aspiration and condensation of smoke evacuated via the oven flue;
- For smoke aspiration and evacuation that exit the oven when the door is opened.
- If the appliance does not function or if there are any functional or structural alterations, disconnect the electricity and water supplies and contact a UNOX authorized customer assistance service. Do not attempt to independently repair the appliance. Request UNOX original spare parts for any repairs necessary.
- To ensure that the appliance is in perfect use and in a safe condition, maintenance and inspections should be performed yearly by an authorised customer agent service.
- Never use the hood without front filters!



RISK OF FIRE!

- Before using the appliance make sure that there are no non-compliant object (instruction manuals, plastic bags or other) in the oven cavity; likewise, make sure that the smoke exhaust is free of obstructions and that no flammable materials are in its vicinity.



RISK OR ELECTRICAL SHOCK

- Do not open the compartments marked with these symbols: access is reserved to qualified personnel authorised by UNOX.
- Failure to observe these regulations may cause damage and (fatal) injuries, and also invalidates the guarantee.

HOODS

Introduction

Dear Customer,

We would like to congratulate and thank you for choosing to purchase an appliance in the **CHEFTOP - BAKERTOP MIND.Maps™** range; we hope this is just the beginning of a fruitful and long-lasting partnership.

These ovens are the climax of Unox research and guarantee minimum occupation of space with superlative performance while offering outstanding cooking management at any condition of use and load.

EXPLANATION OF PICTOGRAMS

The installation and user instructions are valid for all models unless otherwise specified by the following pictograms:



Danger! Situation presenting immediate danger, or a hazardous situation which could cause injury or death.



Danger: fire hazard!



Tips and useful information



Danger: electric shock!



Earthing symbol



Read the instruction manual



Equipotential symbol



Danger: risk of burns



Consult other chapter

EN

FORWARD

This appliance can be used exclusively:

- by qualified personnel that attend scheduled training courses;
- in combination with UNOX electrical ovens of the **CHEFTOP - BAKERTOP MIND.Maps™** line for industrial kitchens (for more information see "Table A" on page 8);
- for the aspiration and condensation of smoke evacuated via the oven flue;
- for smoke aspiration and evacuation that exit the oven when the door is opened.

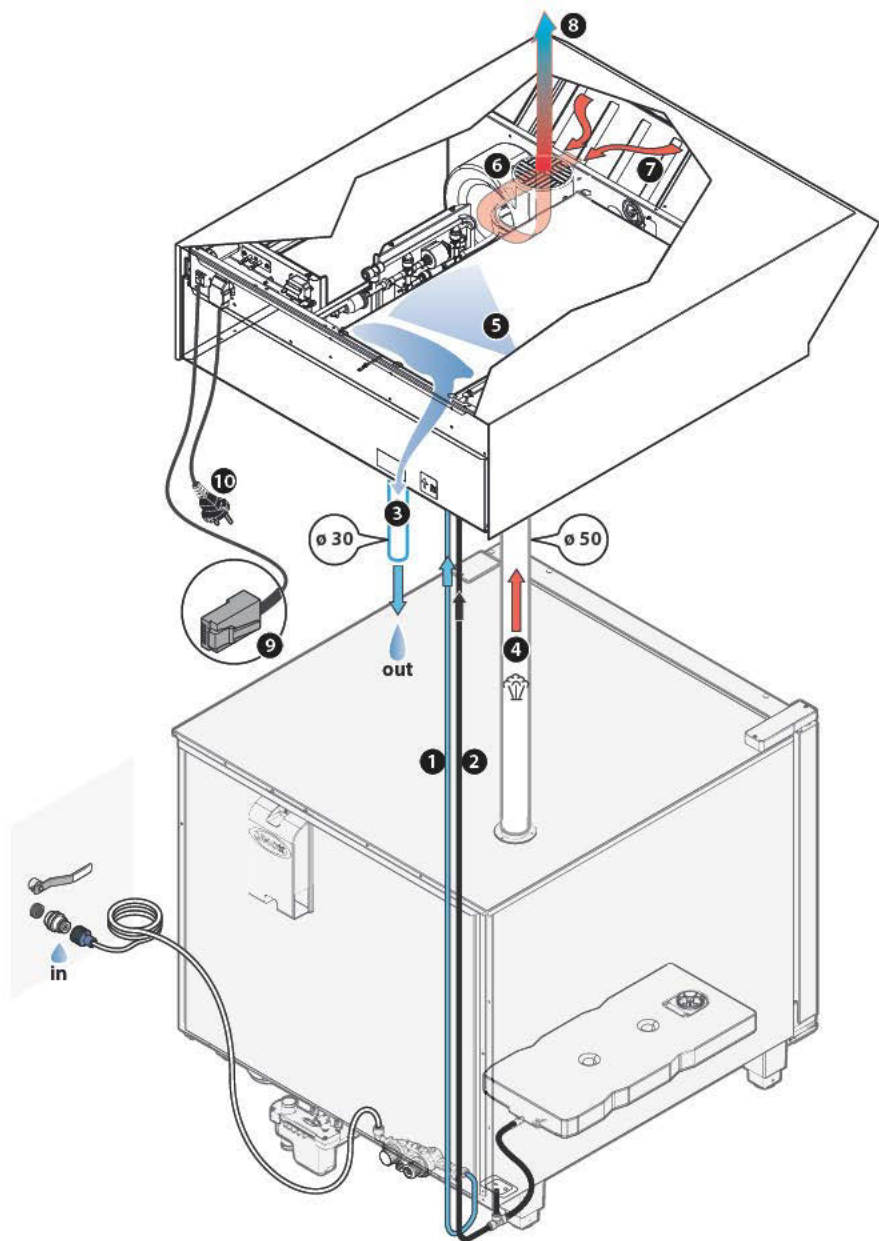


We recommend you thoroughly read this manual for all instructions on how to maintain the aesthetic and functional qualities of your purchased product intact.

Table A

HOOD MODEL	COUPLING WITH COMBINED OVENS OF THE RANGE
XEHC-HC13	CHEFTOP MIND.Maps™ COMPACT GN2/3 ovens CHEFTOP MIND.Maps™ COMPACT GN1/1 ovens GN1/1 counter top ovens 600x400 counter top ovens GN1/1 & 600x400 free standing ovens GN2/1 free standing ovens and GN2/1 counter top ovens
XEHC-HC11	
XEVHC-HC11	
XEBHC-HCEU	
XEAHC-HCFL	
XEVHC-HC21	

- 1 cold water supply thermally controlled by a temperature sensor
- 2 **UNOX.Det&Rinse Plus** detergent supply
- 3 residual water discharge
- 4 cavity moisture released from underlying oven flues
- 5 vapour condenser
- 6 2-speed aspiration motor
- 7 cavity moisture released from open door
- 8 exiting cold air
- 9 RJ45 cable: connects the hood to the oven
- 10 plug for connection to the electricity mains



HOODS

Installation

1 UNPACKING OF THE APPLIANCE

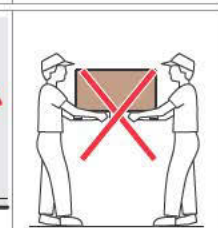
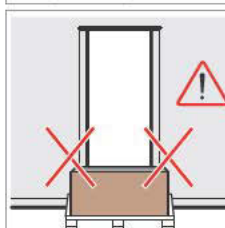
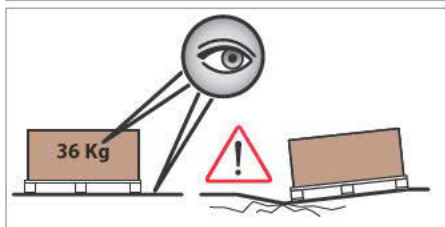
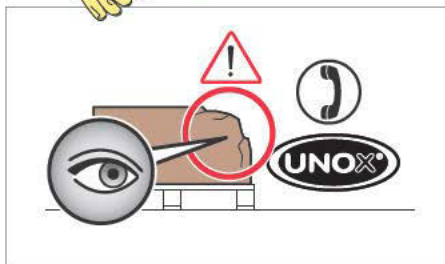
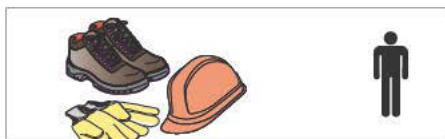
Check the package for any visible damage. If damage is found, immediately contact UNOX and DO NOT install the appliance.

Before transporting the appliance to its installation point, make sure that:

- it easily passes through doorways;
- the floor supports its weight.

Transport must be exclusively performed by mechanical means (i.e. transpallet fork-lift).

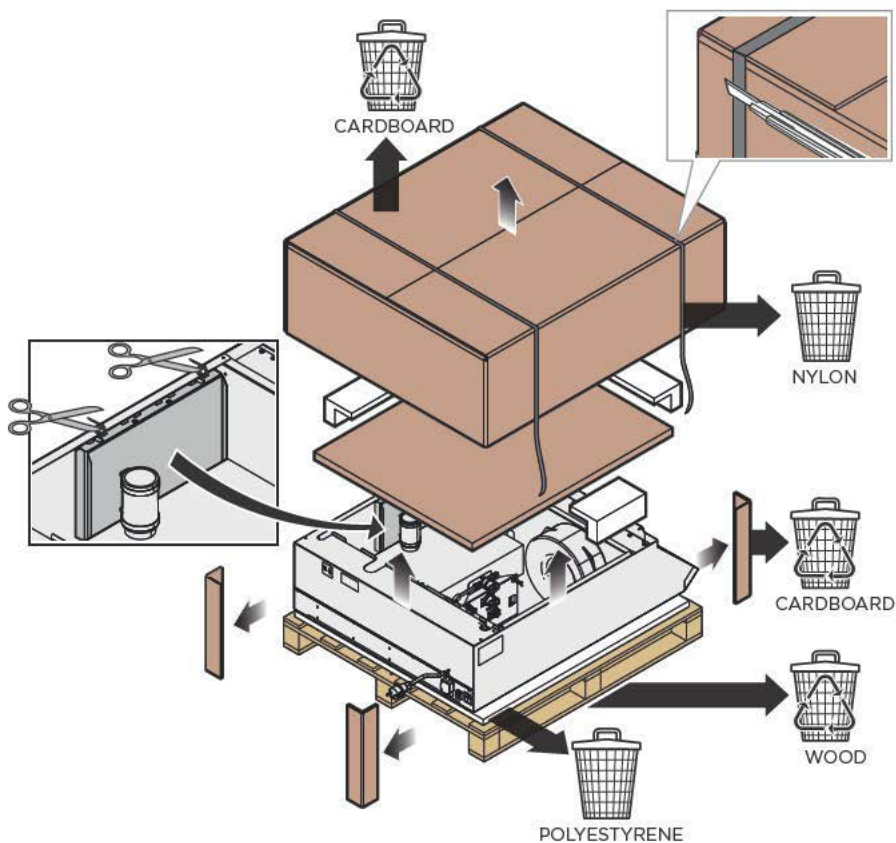
Given its potential danger, the packaging material must be kept out of reach of children and animals, and correctly disposed of in compliance with local regulations.



NON-STOP Efforts

UNOX has followed the **NON-STOP Efforts** philosophy for years to increase the environmental compatibility of its products to reduce energy consumption and wastes.

UNOX wishes to protect the environment and invites the consumer to dispose of waste in recycling bins.

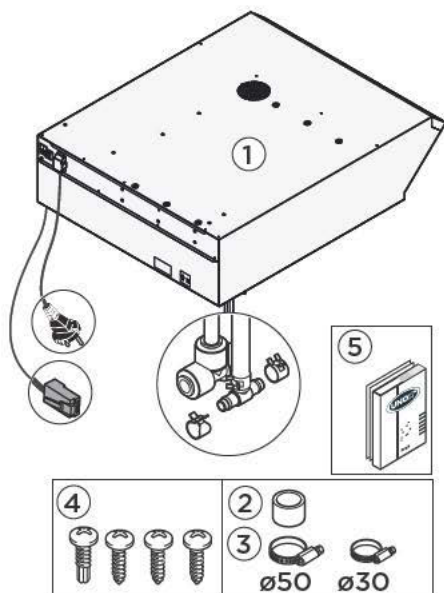


2 CHECKING PACKAGE CONTENTS

Before installing the appliance, check that the following packaged components are present and free of damage.

❗ Contact UNOX if a component is missing or damaged.

- ① hood pre-fitting for:
 - electrical connections (power supply cable already assembled);
 - plumbing connections;
 - connection to a **CHEFTOP - BAKERTOP MIND.Maps™** oven (RJ45 cable pre-assembled);
- ② 50mm exhaust pipe (30mm for compact ovens);
- ③ metal clips;
- ④ screws;
- ⑤ technical documentation (use and maintenance booklet);

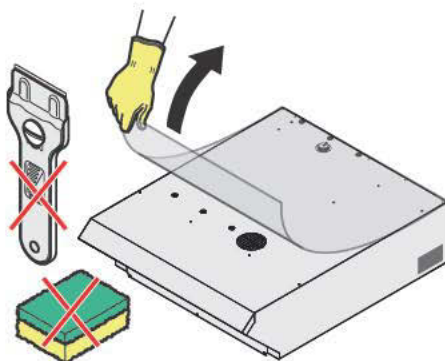


3 GETTING STARTED

Removing the film

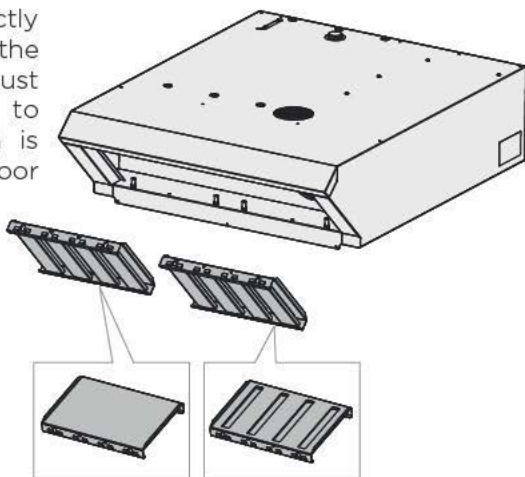
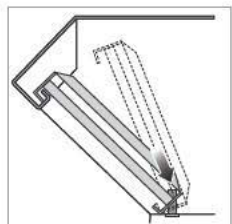
Slowly remove the protective films from the appliance: clean any glue residues with appropriate solvents without using tools, abrasive detergents or acids that could ruin the surfaces.

❗ The removed film, given its potential danger, must be kept out of reach of children and animals; and correctly disposed of in compliance with local regulations.



Installation of filters

Make sure filters are correctly positioned during installation (the filter with slots on both sides must be placed in correspondence to the handle so that the steam is aspirated as soon as the oven door is opened).



4

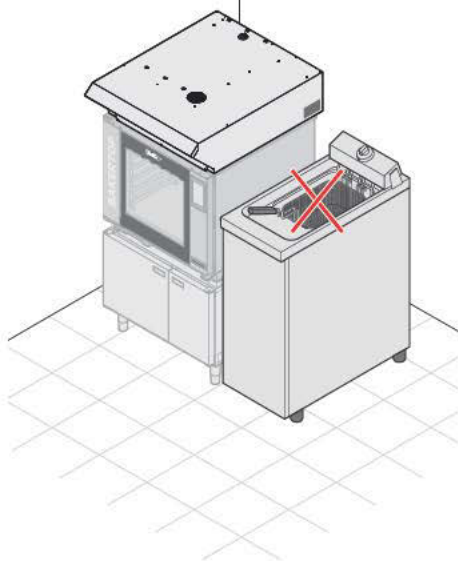
POSITIONING

Characteristics of the installation area

Install the appliance in areas:

- dedicated and conforming to the cooking of industrial foods;
- having adequate air ventilation;
- that comply with the laws in your country;
- protected against the weather;
- with temperatures between +5° to +35°C maximum;
- having a maximum humidity of 70%.

The appliances must only be positioned on top of **CHEFTOP - BAKER-TOP MIND.Maps™** model electrical ovens and fixed to them according to the method indicated in section "Anchoring to bottom-stacked ovens" on page 15.



! The appliance is not suited for recessed installation.

Make sure that the floor can support the weight of the appliance coupled to the equipment below (see "Table B" on the side).

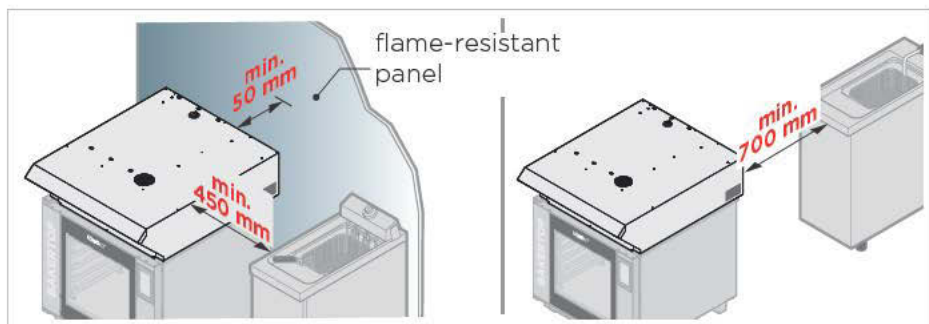
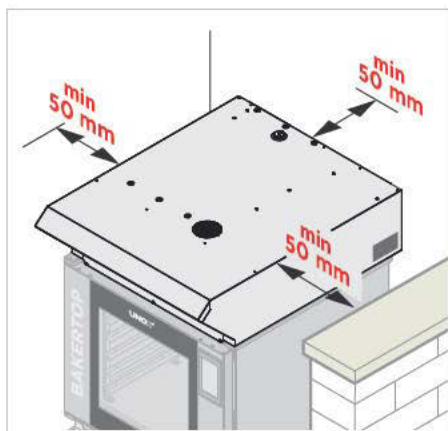
Table B

MODELS	Size (LxWxH)	Weight kg
XEHC-HC13	535x900x240	20
XEHC-HC11	535x1100x240	20
XEVHC-HC11	750x956x240	23
XEBHC-HCEU	860x1145x240	25
XEAHC-HCFL	868x1159x240	30
XEVHC-HC21	868x1323x240	36

Appliance distances

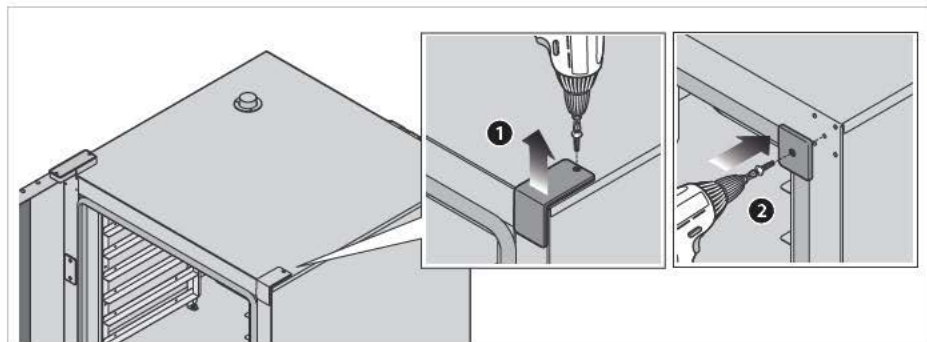
Position the appliance respecting the indicated distances in the diagram and so that the back of the oven is easily accessible for appliance connections and maintenance.

! Do not install the appliance near flammable or heat sensitive materials, walls or furniture. Otherwise, protect them with appropriate non-flammable materials in compliance with fire prevention regulations - see diagram below.

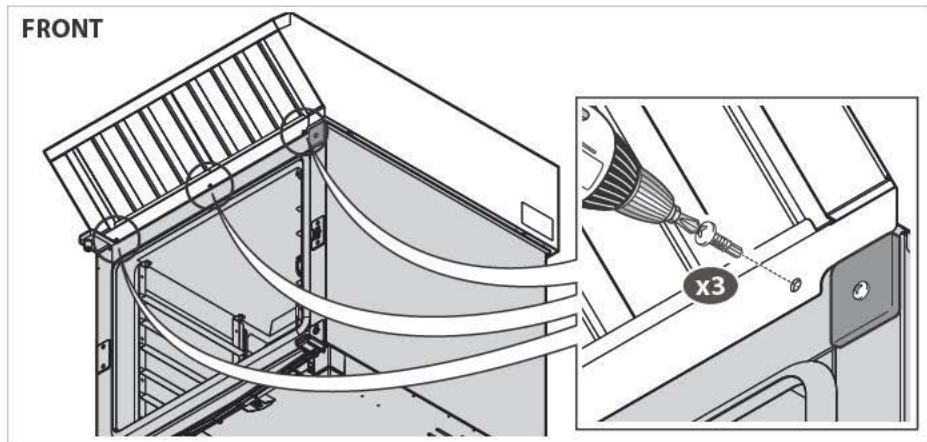


Anchoring to bottom-stacked ovens

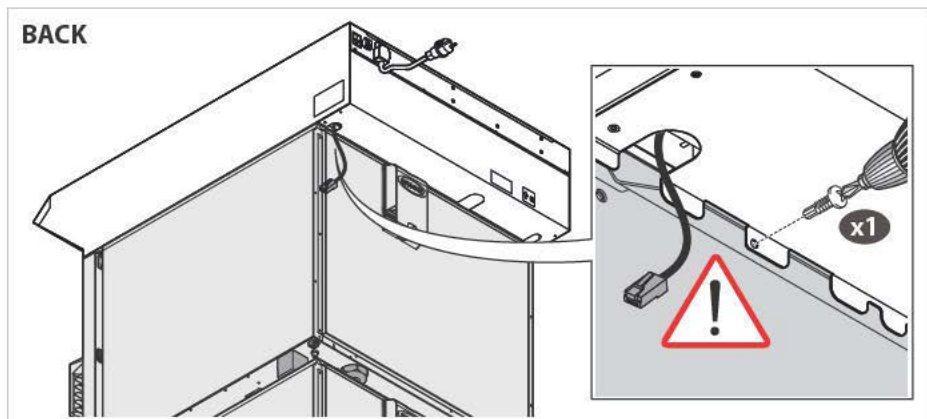
 For sake of practicality, we recommend performing rear connections after having made electrical, plumbing and smoke flue connections.



FRONT



BACK



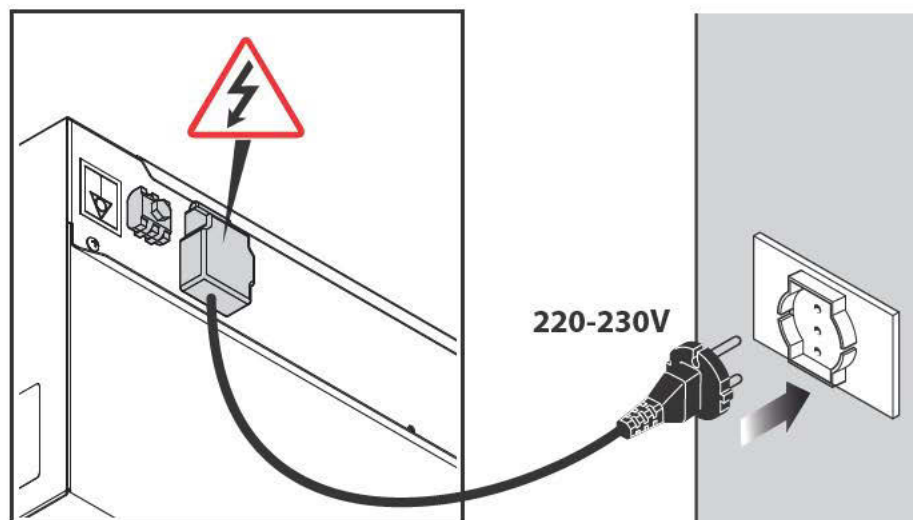
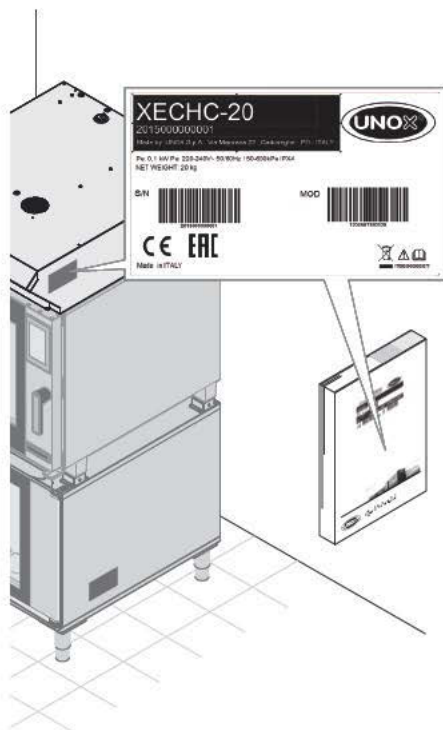
5 ELECTRICAL CONNECTIONS



Before installing the appliance carefully read section “Safety regulations for installation and maintenance” on page 4.





Connections to the main power and the electrical system must comply with the regulations in force in the country of installation of the appliance; and all connections must be performed by qualified personnel authorised by UNOX. Failure to comply with these regulations may cause damage and injuries, invalidates the guarantee and relieves UNOX of all liabilities.




Before connecting the appliance to the mains electricity, always compare the power supply data with that of the appliance specified on the rating plate.


The appliance is released from the factory with power cable and plug already connected to the terminal. Do not make any other type of electrical connection and no dimensional modification of the cable other than extensions, replacing it only with one having specifications equal to the original factory cable (type of rubber, cross-section, etc.).

 The cable must be replaced by UNOX or by its technical assistance service, and in all cases by a person with similar qualification in order to avoid possible risks.

 The wiring diagrams, wire specifications and the technical data are indicated on the "Technical specifications" sheet attached to the appliance.

For proper electrical connections, the appliance must:

- Be wired into an equipotential system in accordance with current regulations. This connection must be performed between different appliances with the terminal marked with the equipotential symbol . The cable must have a maximum cross-section of 10 mm² (pursuant standard CEI EN 60335-2-42:2003-09) and be of yellow-green colour.

- Must be grounded  to the earthing (green-yellow wire).
- Must be connected to a thermal differential switch in compliance with the regulations in force (0.03A Type A).
- Must be connected to a omnipolar circuit breaker mechanism that enables complete disconnection in category III over voltage conditions.

Checks

- The copper jumper in the terminal board and the electrical cable must be secured together under the screw in its tightening direction; and the electrical connections must be securely tightened before connecting the appliance to the electricity mains.
- Check for any electrical dispersion between the phases and the ground, and for electrical continuity between the external casing and the main ground line.
- Check that the power supply voltage does not deviate from the nominal voltage value specified on the appliance rating plate when the appliance is operating. If this is not the case, wire the phases as specified on the "technical specifications" sheet attached.

6 PLUMBING CONNECTIONS

Incoming water

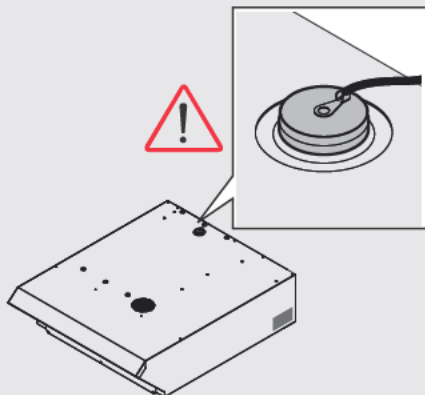
The rear of the appliance contains:

A two meters of pipe with a Tee connection for connection to the oven water supply (including mechanical filter and fitting (3/4") with non-return valve).

B a pipe to supply detergent for cleaning the filters;

Before connecting the water pipe to the appliance, flush it out with water in order to eliminate any residue which may be accumulated inside. An isolation valve should be positioned between the water mains and the appliance;

After all connection have been made, make sure the rubber cap (connected to the hood with a wire) is properly in place. The cap is located above the hood liquid drain and is used to inspect the steam condenser if the drain is clogged.



Water supply: specifications

The water supply must:

- have a maximum temperature of 30 °C;
- be potable;
- have maximum conductivity of 150 µS/cm;
- have maximum hardness of 10°dH;
- have a pressure in the range of 150 and 600 kPa (200 kPa recommended).

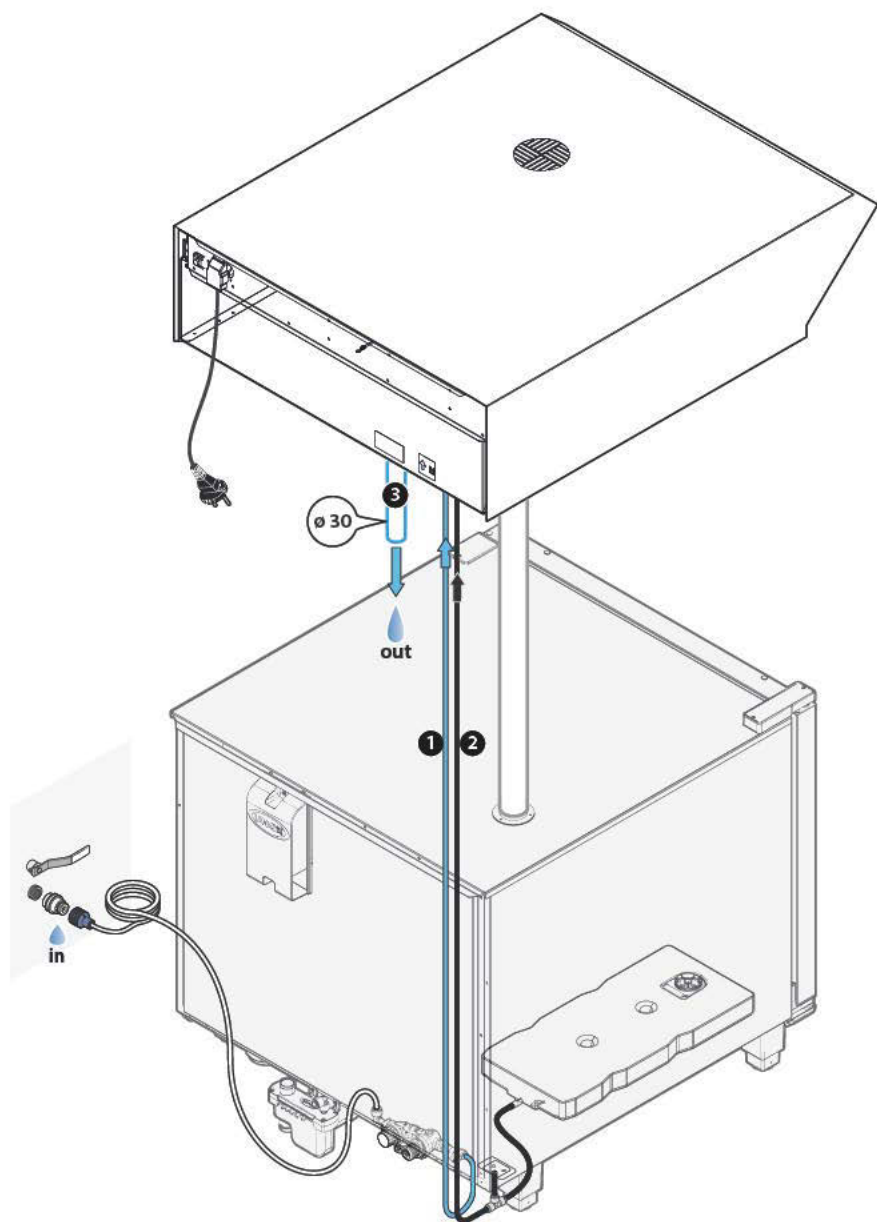
Other water supply requirements (untreated water):

- Free chlorine: less than 0.1 ppm (mg / L);
- Chlorides: less than 25 ppm (mg / L); pH: 7.0 to 8.5;
- Alkalinity: less than 50 ppm (mg / L);
- Silica: less than 12 ppm (mg / L);
- Total dissolved solids (tds): less than 60 ppm

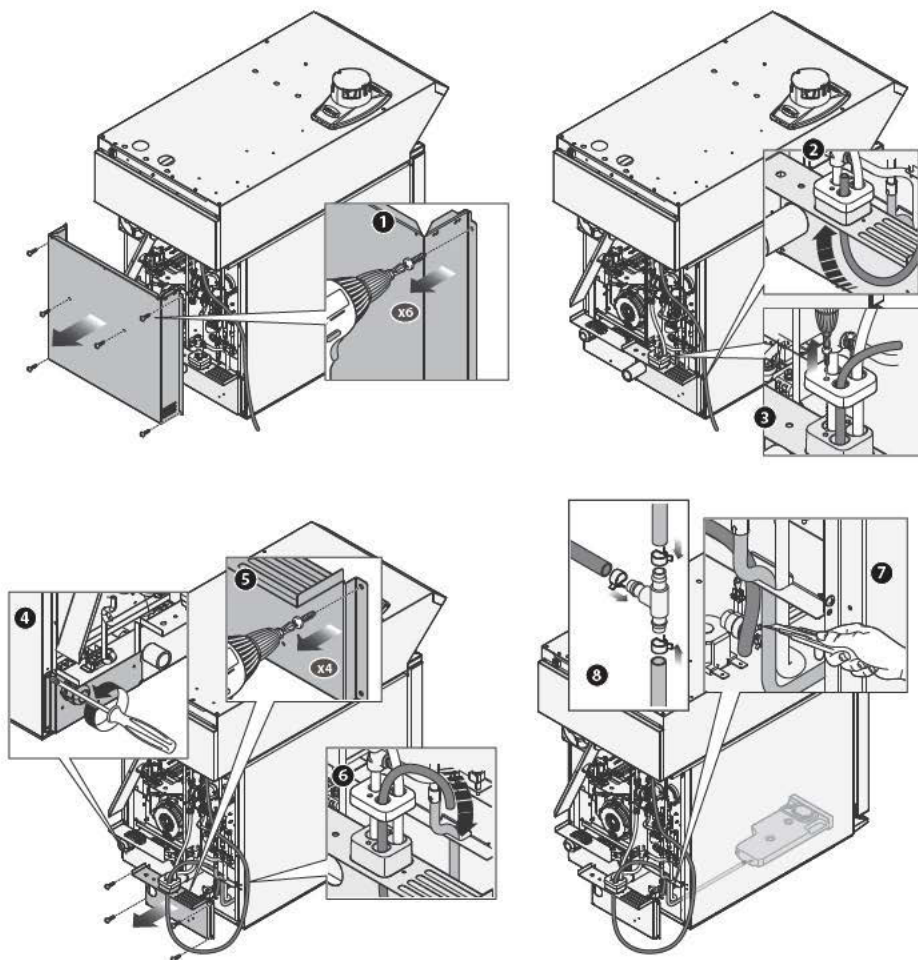
! Use the set of new connections supplied with the appliance for the connection to the water mains. Connections that have already been used must not be used again.

! For additional information see the instructions contained inside your **CHEFTOP - BAKERTOP** packaging. **MIND.Maps™**

- 1 cold water supply thermally controlled by a temperature sensor
- 2 **UNOX.Det&Rinse Plus** detergent supply
- 3 residual water discharge



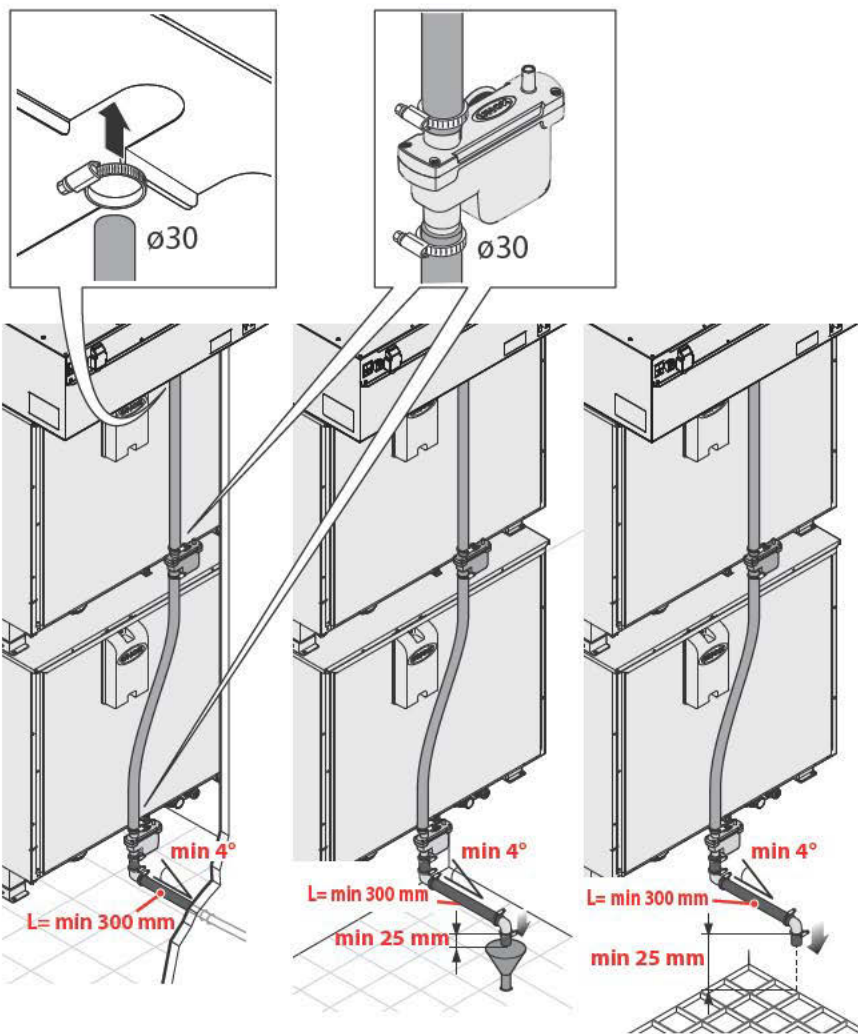
CHEFTOP - BAKERTOP MIND.MapTM COMPACT



Outgoing water

Plumbing connections are on the rear of the appliance: connect the attachment to a rigid pipe or hose by using a metal clip (supplied) and connect to a waste water discharge.

- ❗ UNOX recommends its proprietary rigid pipes and flexible hoses.
- ❗ The waste water draining from the appliance may be hot (90°C). The pipes used for water drainage must be able to withstand high temperatures.

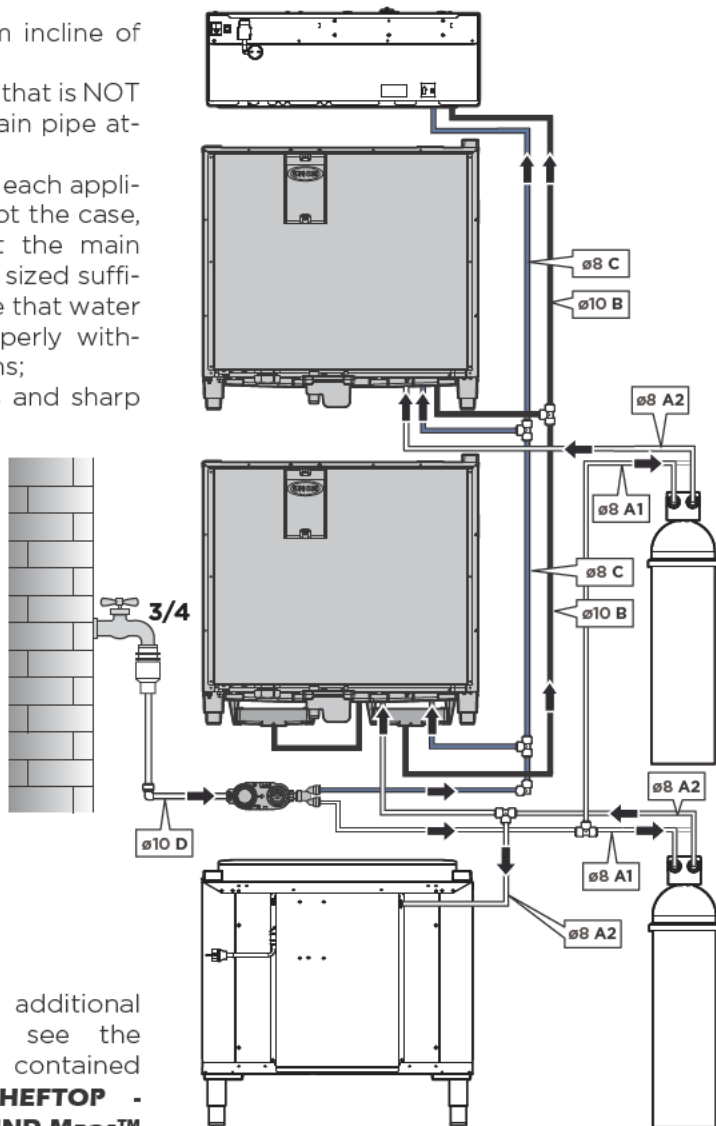


Drainage specifications

- The drainage system must:
- be a siphon-type;
 - be one meter in length maximum;
 - have a minimum incline of 4%;
 - have a diameter that is NOT less than the drain pipe attachment;
 - be dedicated to each appliance; if this is not the case, make sure that the main drainage pipe is sized sufficiently to ensure that water flows away properly without any problems;
 - be free of kinks and sharp ends.

Plumbing examples

- B: Connection to the detergent tank $\varnothing 10$
C: Cleaning water (untreated) $\varnothing 8$



! For additional information see the instructions contained inside your **CHEFTOP - BAKERTOP MIND.Maps™** packaging.

7 SMOKE EXHAUST

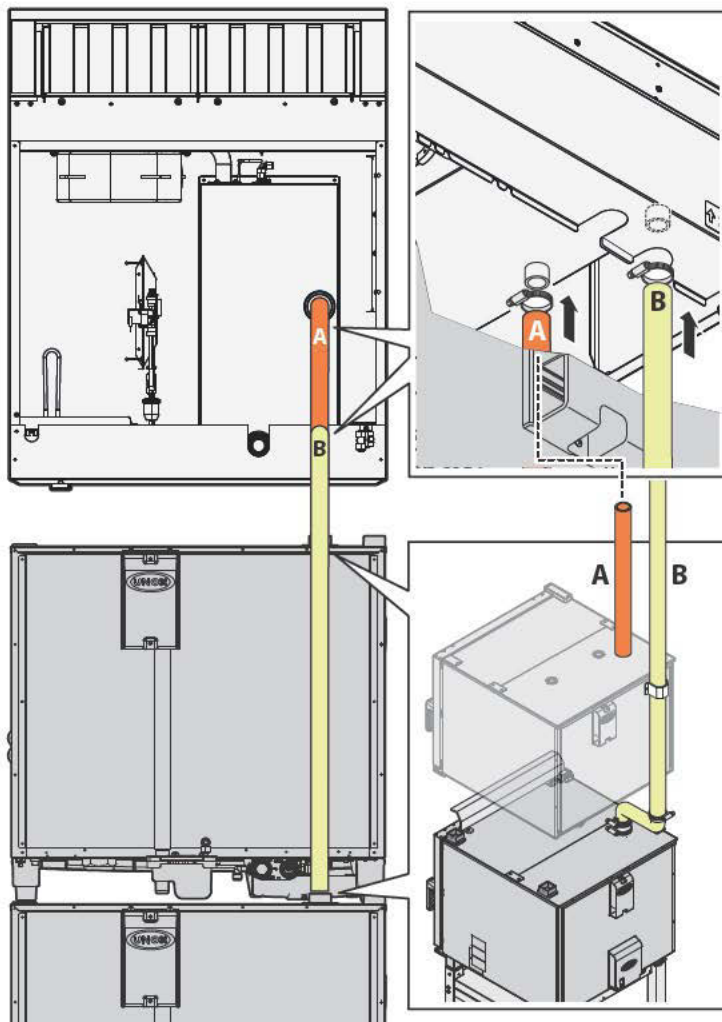
Connection to oven smoke flues

Cooking produces hot smoke and odours that are evacuated through an exhaust pipe on the top portion of the appliance.

Stacked ovens require that both the top and bottom ovens be connected to the hood.

The unused smoke intakes of the hood must be sealed using the plugs supplied.

! UNOX recommends its exhaust pipes.




Hood smoke exhaust

Smoke and odours coming from the oven cavity are evacuated through the hood smoke flues

External evacuation can be performed in 1 of 2 manners:


1) Direct evacuation in the oven installation area.

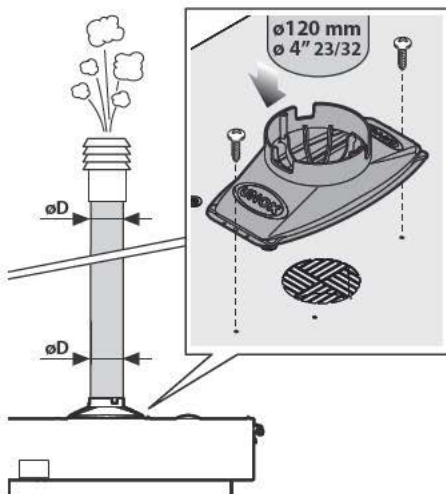
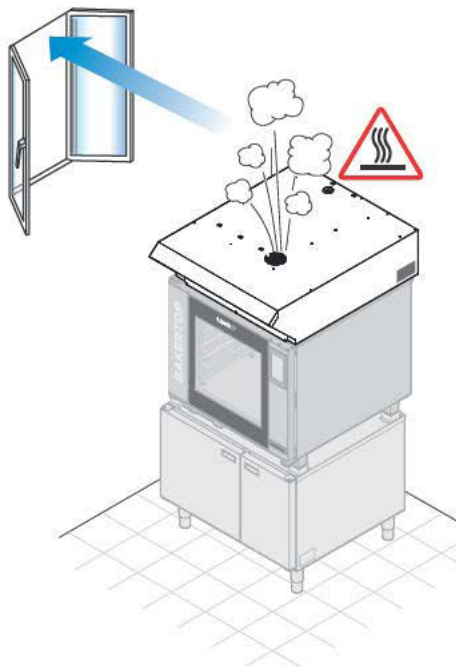
 Make sure that no objects or materials that may obstruct fume evacuation or become damaged by the temperature or fumes are placed above the smoke exhaust. Do not leave flammable materials near the smoke exhausts.

2) Evacuation through an efficient ventilation flue.

The UNOX smoke flue, available as an optional, must be installed.

The flue must preferably have the same diameter ($\varnothing 12\text{cm}$) throughout the entire length of the oven's exhaust pipe connection;

 We recommend a flue cover be installed on top of the external end of the flue, to prevent rainwater from getting into the oven and to minimise pressure drops caused by the Venturi effect, which can occur during strong air currents.



8

HOOD AND OVEN INTER-CONNECTION

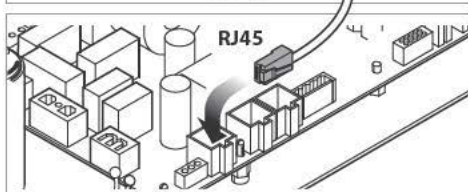
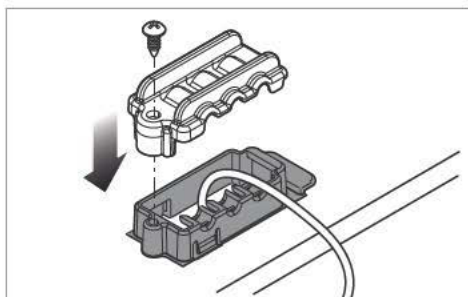
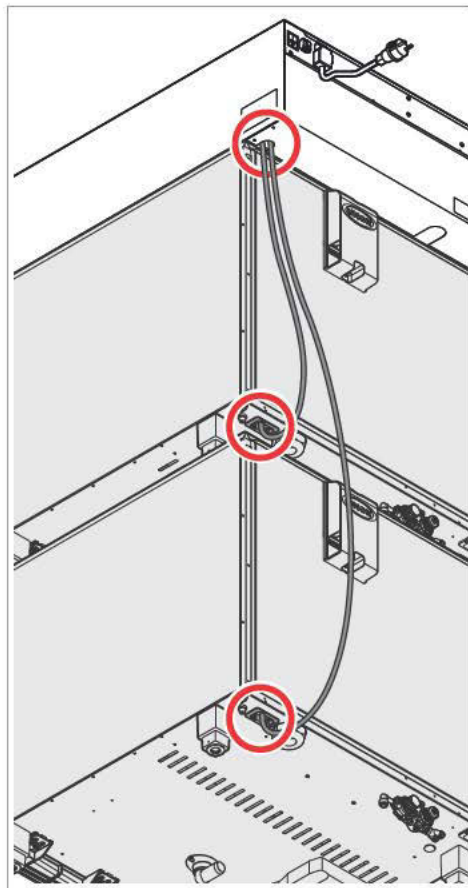
The hoods are designed to be connected to **CHEFTOP-BAKERTOP MIND.Maps™** ovens.

The accessories connect to the oven by means of ModBus connectors located on the back of the oven, which automatically connect.

- ❶ Disconnect all appliance from the electricity mains.
- ❷ Remove the rear panel of the oven to access the power board.
- ❸ Connect the RJ45 cable to one of the ModBus outlets corresponding to the power board.
- ❹ Replace the rear panel of the ovens.
- ❺ Reconnect all the appliances to the electricity mains.

⊕ Follow the instructions contained in the accessory packing for information on how to fully install and manage them.

⚠ Connect the ModBus cables only to the relative ModBus connectors and not to the RJ45 Ethernet connectors.



HOODS

Use



Before using the appliance:

- carefully read the section “Safety regulations for installation and maintenance” on page 4.

USE



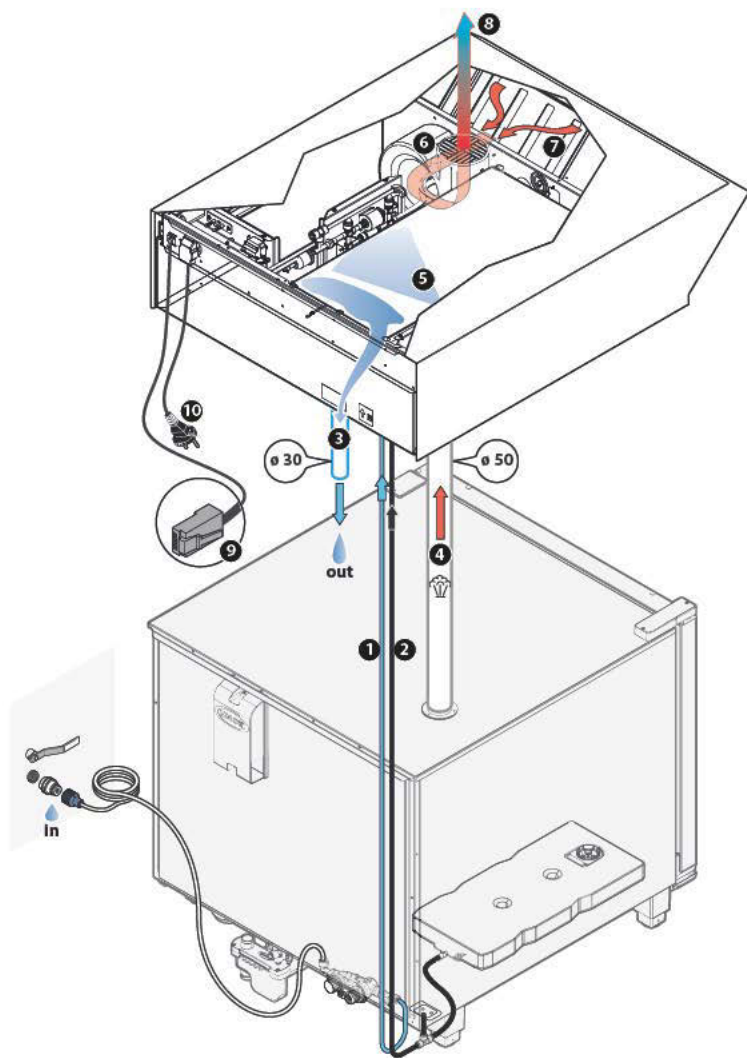
Clean thoroughly at first oven use (see chapter “Routine maintenance” on page 28).

Operate the appliance at a room temperature between +5°C and +35°C.

The appliances do not feature a control panel because they are automatically controlled by the oven to which they are connected via RJ45 cable 9.

During cooking (manual or scheduled), the hood automatically starts at minimum speed: cold water is loaded 1 and the condensing system, 5 which reduces the fumes coming from the underlying oven flues, starts 4. The mitigated smoke is evacuated in liquid form via a pipe on the back of the appliances 3. The hood speed increases when the oven door is opened in order to aspirate frontal smoke that escapes from the oven door 7.

Use the **UNOX.Det&Rinse Plus** 2 detergent to ensure perfect cleaning of the condenser.



- ❶ cold water supply thermically controlled by a temperature sensor
- ❷ **UNOX.Det&Rinse Plus** detergent supply
- ❸ residual water discharge
- ❹ cavity moisture released from flues of ovens below
- ❺ vapour condenser
- ❻ 2-speed aspiration motor
- ❼ cavity moisture released from open door
- ❽ exiting cold air
- ❾ RJ45 cable: connects the hood to the oven
- ❿ plug for connection to the electricity mains

HOODS

Maintenance

ROUTINE MAINTENANCE

! Any routine maintenance procedure must be performed:

- after disconnecting the appliance from the power and water supplies
- after having put on the proper personal protection equipment (i.e. gloves, etc...).

Do NOT clean using:

- abrasive or powder detergents;
- aggressive or corrosive detergents (i.e. hydrochloric/muriatic or sulphuric acid).
- abrasive or sharp tools (i.e. abrasive sponges, scrapers, steel bristled brushes, etc...);
- water spray.

External steel surfaces

Wait for the surfaces to cool off.

Use only a soft cleaning cloth dampened with a little soap and water. Rinse and dry completely. In alternative, only use detergents recommended by UNOX; other products may cause damage thereby invalidating the guarantee. Read the instructions provided by the detergent producer for their use.



Front filter and cover

The hood has a **filter** (always located on the handle side of the bottom-stacked oven) and a **cover** on the front.

The front filter and cover must be removed, once cool, as shown in the figure and washed regularly with soapy water or in the dishwasher. Wait until they are completely dry before refitting.

! After refitting, ensure that the filter is still positioned on the handle side of the bottom-stacked oven (see figures).

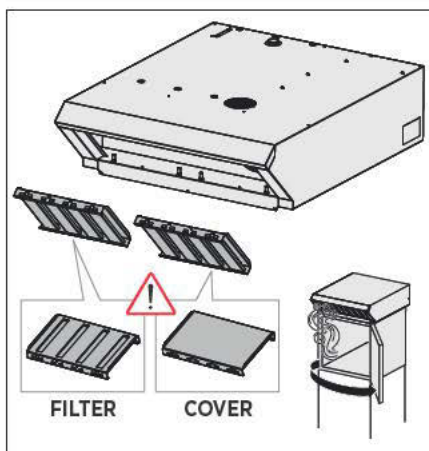
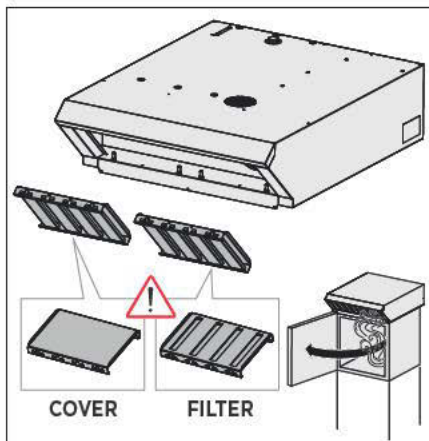
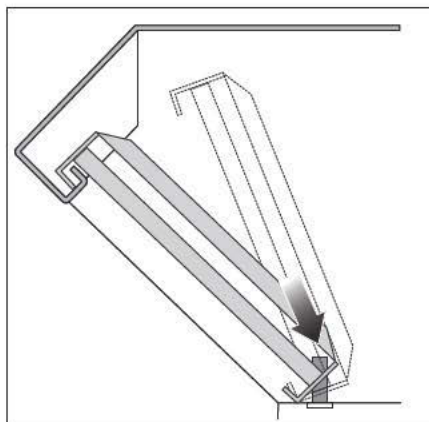
! Never use the hood without the front filter and cover.

Internal vapour condenser

The internal condenser is automatically washed at the end of each oven washing without the need for operator intervention.

! Before each washing make sure that the detergent tank (located under an oven) is not empty.

We recommend using only **UNOX. Det&Rinse Plus** detergent by UNOX. **UNOX. Det&Rinse Plus** is the UNOX solution that offers both detergent and rinse aid in a single product, otherwise sold separately. The working principle of **UNOX. Det&Rinse Plus** combines the degreasing action of detergents and the power of rinse aid to obtain the best results during oven washing and rinsing.



INACTIVITY

Follow the precautions below during inactivity:

- disconnect the appliance from the power and water supplies;
- we recommend rubbing a soft cloth lightly doused with mineral oil on all stainless steel surfaces;

At first reuse:

- clean the appliance and its accessories thoroughly (see chapter "**Routine maintenance**" on page 28);
- connect the appliance to its power and water supplies;
- inspect the appliance before using it;



To ensure that the appliance is in perfect use and in a safe condition, maintenance and inspections should be performed yearly by an authorised customer agent service.

DISPOSAL

Pursuant to article 13 of Legislative Decree 49 of 2014 "Implementation of the WEEE Directive 2012/19/EU on electrical and electronic equipment waste",



The barred symbol of the rubbish bin specifies that the product was placed on the market after August 13, 2015 and that at the end of its useful life it should not be treated as other waste, but must be collected separately.

All appliances are made with recyclable metallic materials (stainless steel, iron, aluminium, galvanized steel, copper, etc.) in percentages higher than 90% by weight.

Make the appliance ready for disposal by removing the power cable and any compartment or cavity closure latch (where present). At the end of its useful life, this product must be managed in a way that reduces the negative impacts on the environment and improves the effectiveness of use of resources by applying the "the polluter pays", prevention, preparation for reuse, recycling and recovery principles. Please remember that illegal or incorrect disposal of the product leads to the application of the penalties provided by current legal provisions.

Information on disposal in Italy

In Italy, WEEE appliances must be delivered:

- to Collection Centres (also known as ecological islands or ecological platforms)
- to the dealer from whom new appliances are purchased, who is required to collect them free of charge ("one against one" collection);

Information on disposal in countries of the European Union

The EU Directive on WEEE appliances has been implemented differently by each country. Therefore, if you want to dispose of this appliance, we recommend you contact your local authorities or dealer to get information on the correct disposal method.

CERTIFICATION

EU declaration of conformity for electrical and gas appliances

Manufacturer: UNOX S.p.A.

Address: Via Majorana, 22- 35010 Cadoneghe, Padova, Italy

Declares, under its own responsibility, that the products

XEHC-HC13

XEHC-HC11

XEVHC-HC11

XEBHC-HCEU

XEAHC-HCFL

XEVHC-HC21

Compliant to Machine Directive 2006/42/EC through the following standards:

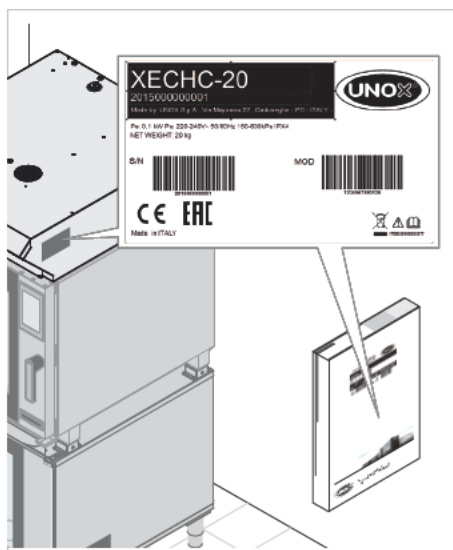
- EN 60335-1: 2012 + A1: 2014
- EN 60335-2-99: 2003
- EN62233: 2008

and to the Electromagnetic Compatibility Directive 2004/108/EC until 20/04/2016 and to the Directive 2014/30/EC after 20/04/2016 through the following standards:

- EN 55014-1: 2006 + A1: 2009
- EN 55014-2: 1997 + A1: 2001 + A2: 2008 + IS:2007
- EN 61000-3-2: 2006 + A1: 2009 + A2: 2009
- EN 61000-3-3: 2008

AFTER-SALES ASSISTANCE

In case of any malfunctions, disconnect the appliance from its power and water supply. Consult the solutions proposed in the table.



If the solution is not listed in the table, contact a UNOX authorized technical customer service. Provide the following information:

- the date of purchase;
- the appliance data on the serial plate;
- any alarm messages that are shown on the display of the oven connected to the hood.

Manufacturer's information:

UNOX S.p.A.
Via Majorana, 22
35010 Cadoneghe (PD) Italy
Tel +39 049 86.57.511
Fax +39 049 86.57.555
info@unox.com www.unox.com

Malfunction	Possible cause	Problem solution
The hood cannot be engaged when a cooking cycle is started.	The hood is not connected to the power supply.	Connect the hood to the power supply.
	The hood was not connected to the oven vis RJ45 cable during installation.	Contact the Customer Assistance Service
	The RJ45 cable that connects the oven to the hood is disconnected or damaged.	
	The hood motor is faulty.	
	The motor starter capacitor is faulty.	
	The hood P.C.B. is damaged.	
	The oven P.C.B. is damaged.	
The hood does not achieve maximum speed when the oven door is opened.	The RJ45 cable is disconnected or damaged.	Contact the Customer Assistance Service
	The hood motor is faulty.	
	The hood P.C.B. is damaged.	
	The oven P.C.B. is damaged.	
	The oven P.C.B. is damaged.	
	Door switch faulty.	

Malfunction	Possible cause	Problem solution
The water condensation system is faulty.	Water inlet closed.	Open water inlet.
	Plumbing has not been done correctly.	Make sure the appliance is connected to the water supply.
	The water intake filter is clogged by impurities.	Clean the filter.
	The water intake solenoid is damaged.	Contact the Customer Assistance Service
	The temperature sensor is damaged.	
	The hood P.C.B. is damaged.	

GUARANTEE

Installation of the UNOX product must be performed by an Authorized UNOX Assistance Service. The installation date and appliance model must be documented by the end purchaser, by means of written confirmation or an installation invoice issued by the dealer or the Authorized UNOX Customer Assistance Service, otherwise this guarantee will not be valid; The UNOX guarantee covers all malfunctions objectively linked to production defects. The guarantee excludes damage due to transport, poor product storage or maintenance or incorrect product use. Also excluded is damage due to installation not conforming to the technical specifications provided by Unox and linked to the environment of use, such as, for example, unclean and aggressive water supply, low quality gas supply, or electrical supply failing to provide nominal voltage and power ratings.

The guarantee also excludes any damage due to power surges or tampering by unauthorized or incompetent persons. The guarantee is also invalidated for damage to the appliance by lime scale deposits. In addition, the guarantee does not cover consumables, such as: seals, light bulbs, glass panels, decorative parts and parts consumed during use.

Guarantee rights will also be invalidated in the event of damage arising as a result of incorrect installation, or installation which has not been carried out by an Authorized Customer Assistance Service.



LI2446A2.D00-LDI-01 - Printed: 03-2016
Subject to technical changes.



UNOX S.p.A.
Via Majorana, 22 - 35010 - Cadoneghe (PD) - Italy
Tel.: +39 049 86.57.511 - Fax: +39 049 86.57.555
info@unox.com www.unox.com

