


SP 010 PR

| | | |
|---|--|---|
| MODEL SPIDOGLOSS SP010PR | <ul style="list-style-type: none"> • Black ribbed upper surface • Black smooth lower surface | <ul style="list-style-type: none"> • Max. temperature 400°C |
| | <ul style="list-style-type: none"> • Manual Control | <ul style="list-style-type: none"> • Glass ceramic |



DESCRIPTION

Professional Contact Cooking System with Glass Ceramic plates, suitable for cooking a wide array of different foods, as such: toast, sandwich, meat, fish, vegetables, eggs, etc. High quality cooking result thanks to heat distribution uniformity and use of shock resistance, non-stick, non-porous and impermeable to smells and tastes Glass Ceramic Cooking Surfaces.

High versatility of use thanks to **SHB™ Plus** technology which allows combined heating (contact + infrared) and high cooking Temperature setting.

Up to 60% saving in Preheating Time thanks to **SHB™ Plus**. Up to 60% saving in Energy consumption thanks to the **Protek.Safe™** high efficiency insulation system which eliminates unnecessary energy loss.

STANDARD COOKING FEATURES

SETTINGS:


- Manual Control
- Temperature set: 120 °C – 400 °C.

STANDARD TECHNICAL FEATURES

- **Single Black Ribbed Glass Ceramic cooking plate:**
1 250x250 mm.
- Stainless Steel Case
- Ergonomic Handle
- Self-locking Handle Bracket
- 4 Non-Slip Feets
- Removable Dip Tray
- ON/OFF button and LED light

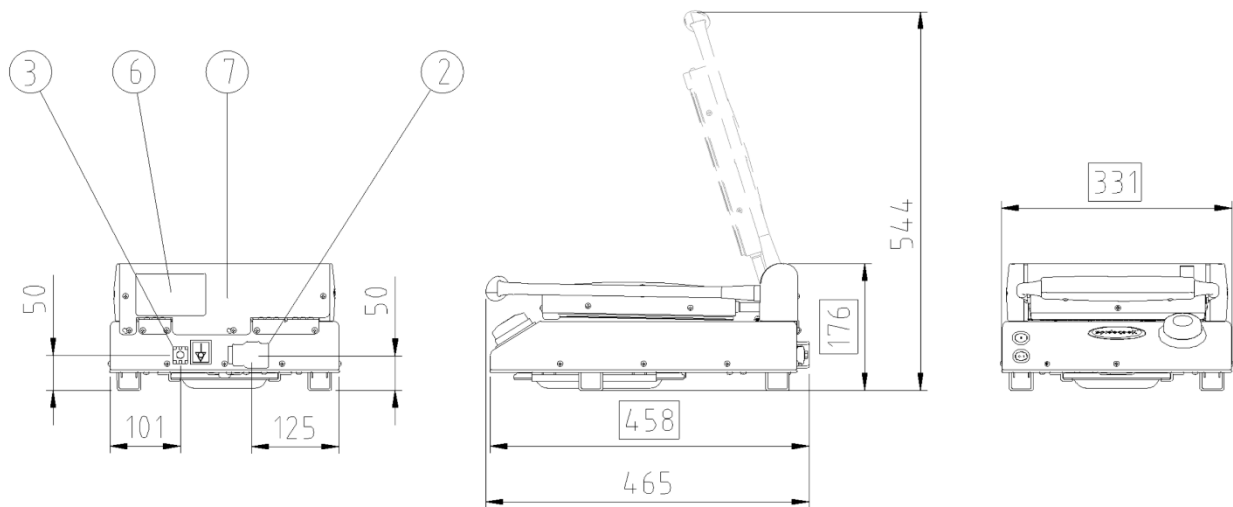
ACCESSORIES

- **METAL SCRAPER**
Metallic scraper for Glass Ceramic Surfaces (included)
- **SPIDO CLEAN SPRAY DETERGENT**
750 ml Spray Detergent for Glass Ceramic and Steel Surfaces (to be purchased separately)



SP 010 PR

Views
Connection positions
Dimensions and Weights
Installation requirements
Power supply



CONNECTION POSITIONS

| | |
|---|-----------------------------|
| 2 | Terminal board power supply |
| 3 | Unipotential terminal |
| 6 | Technical data plate |
| 7 | Safety thermostat |

DIMENSIONS AND WEIGHT

| | |
|------------|--------|
| Width | 331 mm |
| Depth | 458 mm |
| Height | 176 mm |
| Net Weight | 10 Kg |

INSTALLATION REQUIREMENTS

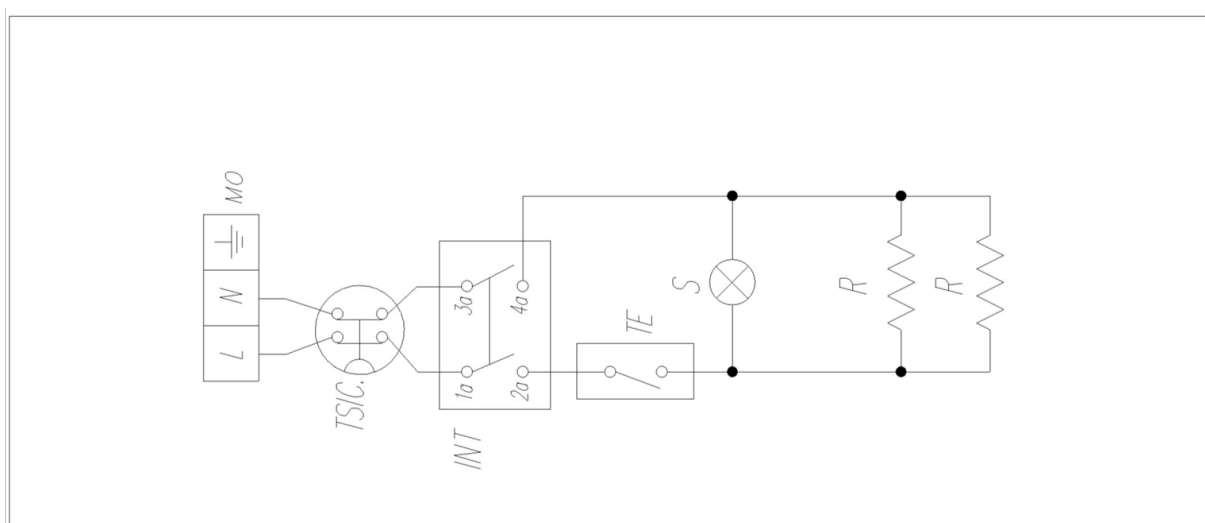
Installations must conform to all local electrical systems, specifically minimum wire gauge required for field connection, hydraulic and ventilation codes.

POWER SUPPLY

| | STANDARD |
|-------------------------|--------------------------------|
| Voltage | 230 V |
| Phase | 1PH+N+PE |
| Cycle | 50-60 Hz |
| Power | 1.5 kW |
| Maximum Amp Draw | 6,5 A |
| Power cable requirement | H07RN-F 3G 1.5 mm ² |
| Cord diameter | 10 mm |
| Plug | SCHUKO |

SP 010 PR

Wiring diagrams



WIRING DIAGRAMS

| | |
|-----|-------------------|
| INT | Switch |
| MO | Terminal board |
| R | Heating element |
| S | Pilot light |
| TE | Thermostat |
| TS | Safety thermostat |